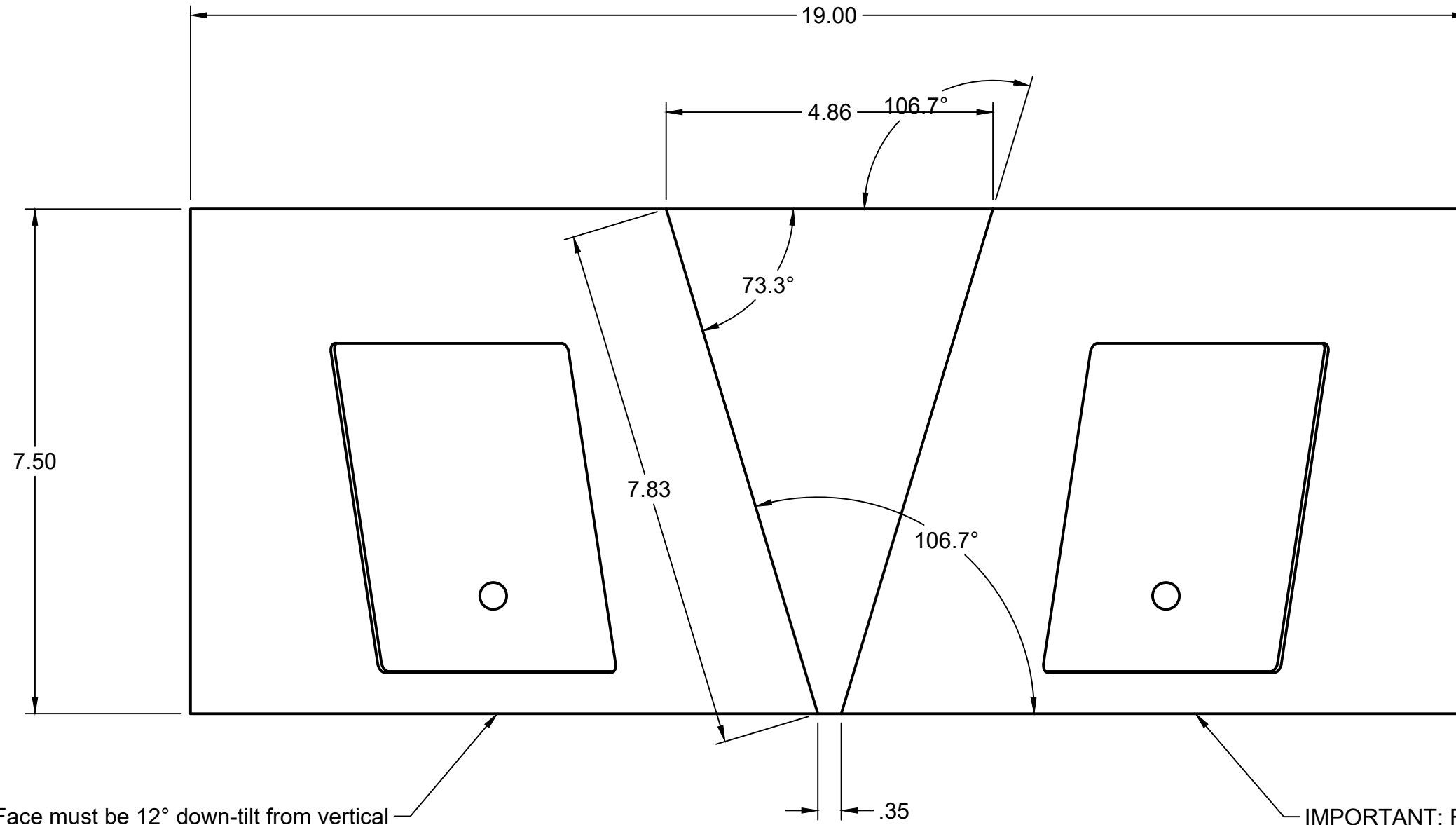


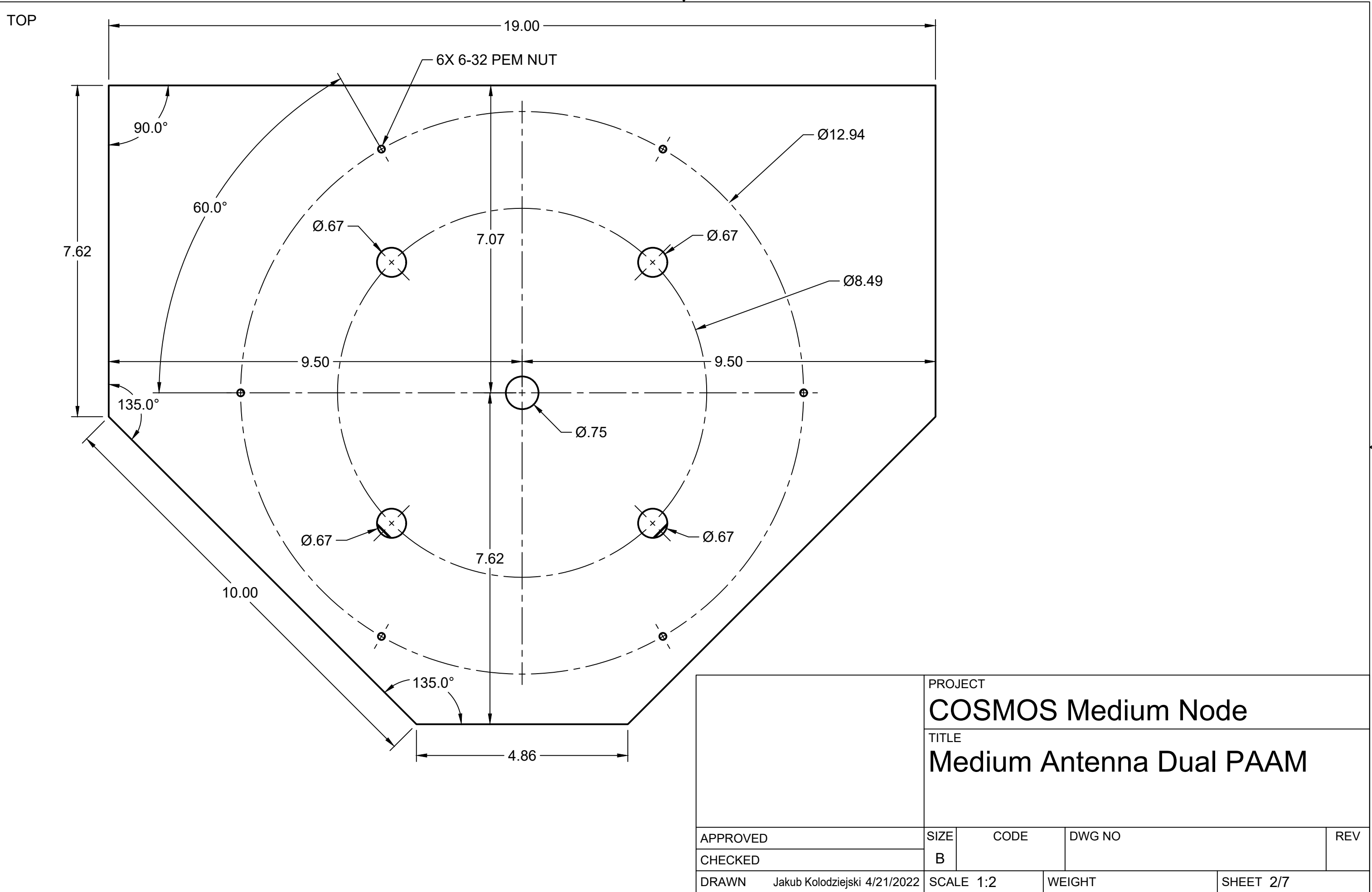
FRONT



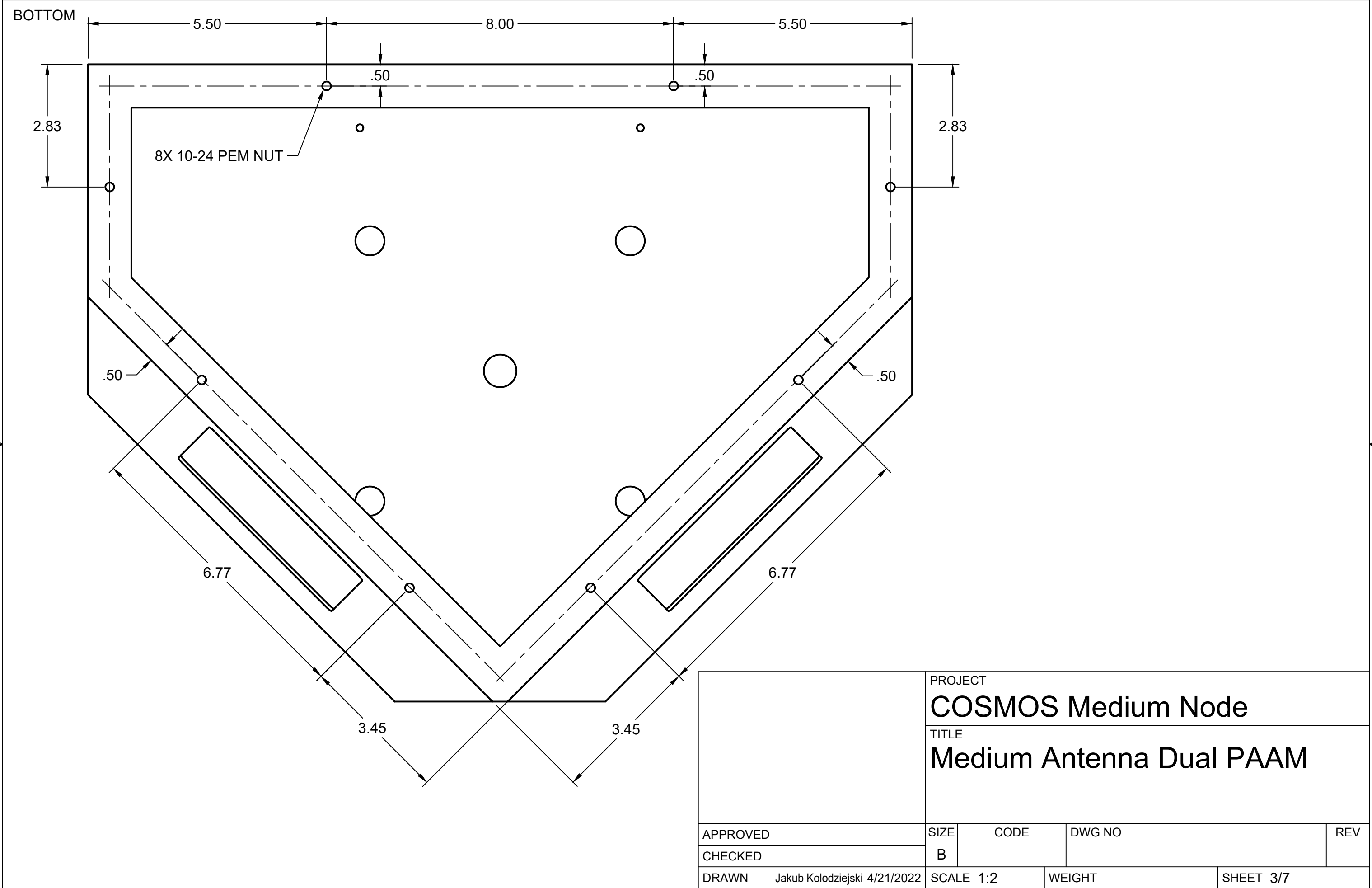
IMPORTANT: Face must be 12° down-tilt from vertical

IMPORTANT: Face must be 12° down-tilt from vertical

	PROJECT			
	<b>COSMOS Medium Node</b>			
	TITLE			
	<b>Medium Antenna Dual PAAM</b>			
APPROVED	SIZE	CODE	DWG NO	REV
CHECKED	B			
DRAWN	Jakub Kolodziejcki 4/21/2022	SCALE 1:2	WEIGHT	SHEET 1/7

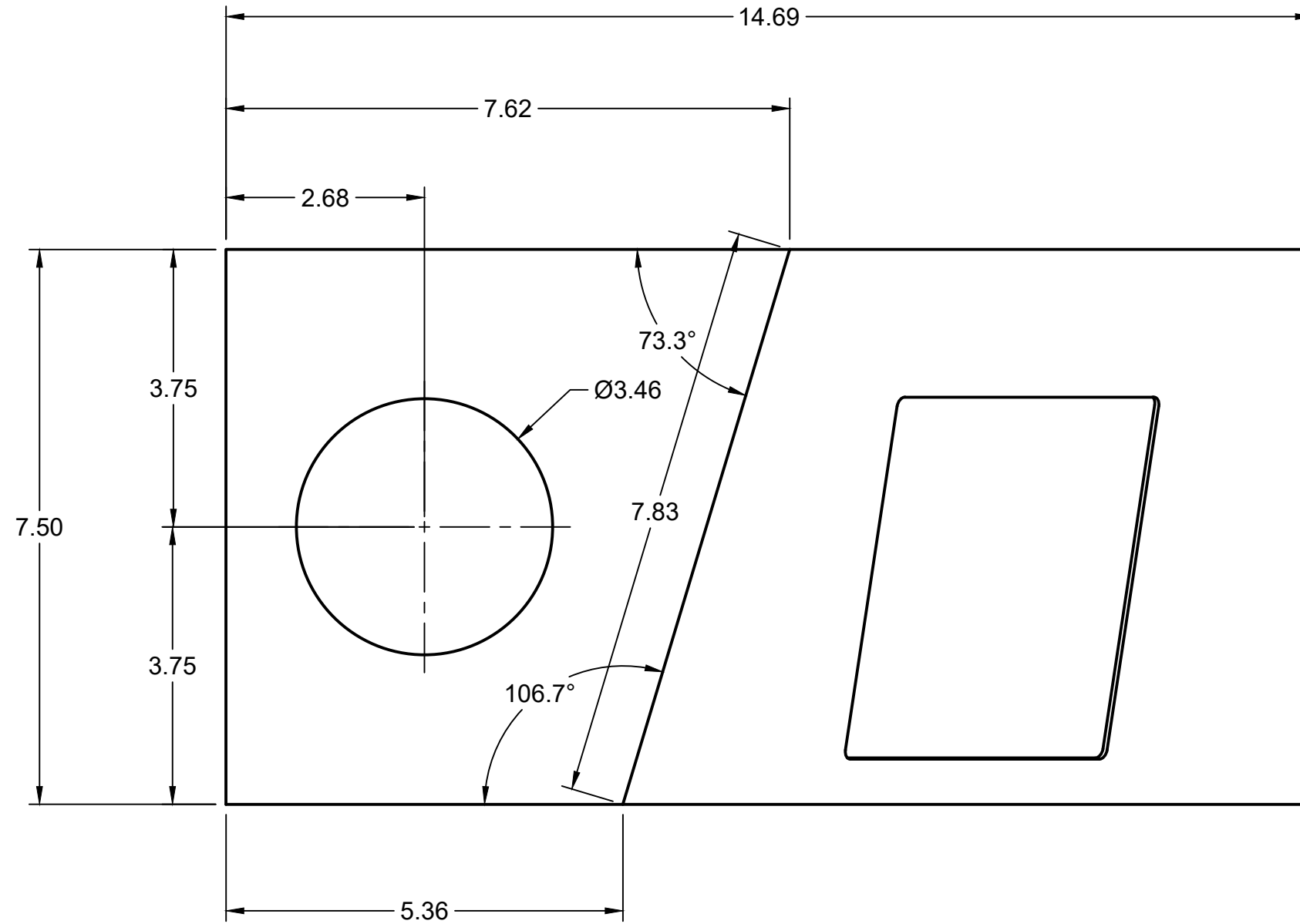


		PROJECT		
		<b>COSMOS Medium Node</b>		
		TITLE		
		<b>Medium Antenna Dual PAAM</b>		
APPROVED	SIZE	CODE	DWG NO	REV
CHECKED	B			
DRAWN	Jakub Kolodziejcki 4/21/2022	SCALE 1:2	WEIGHT	SHEET 2/7



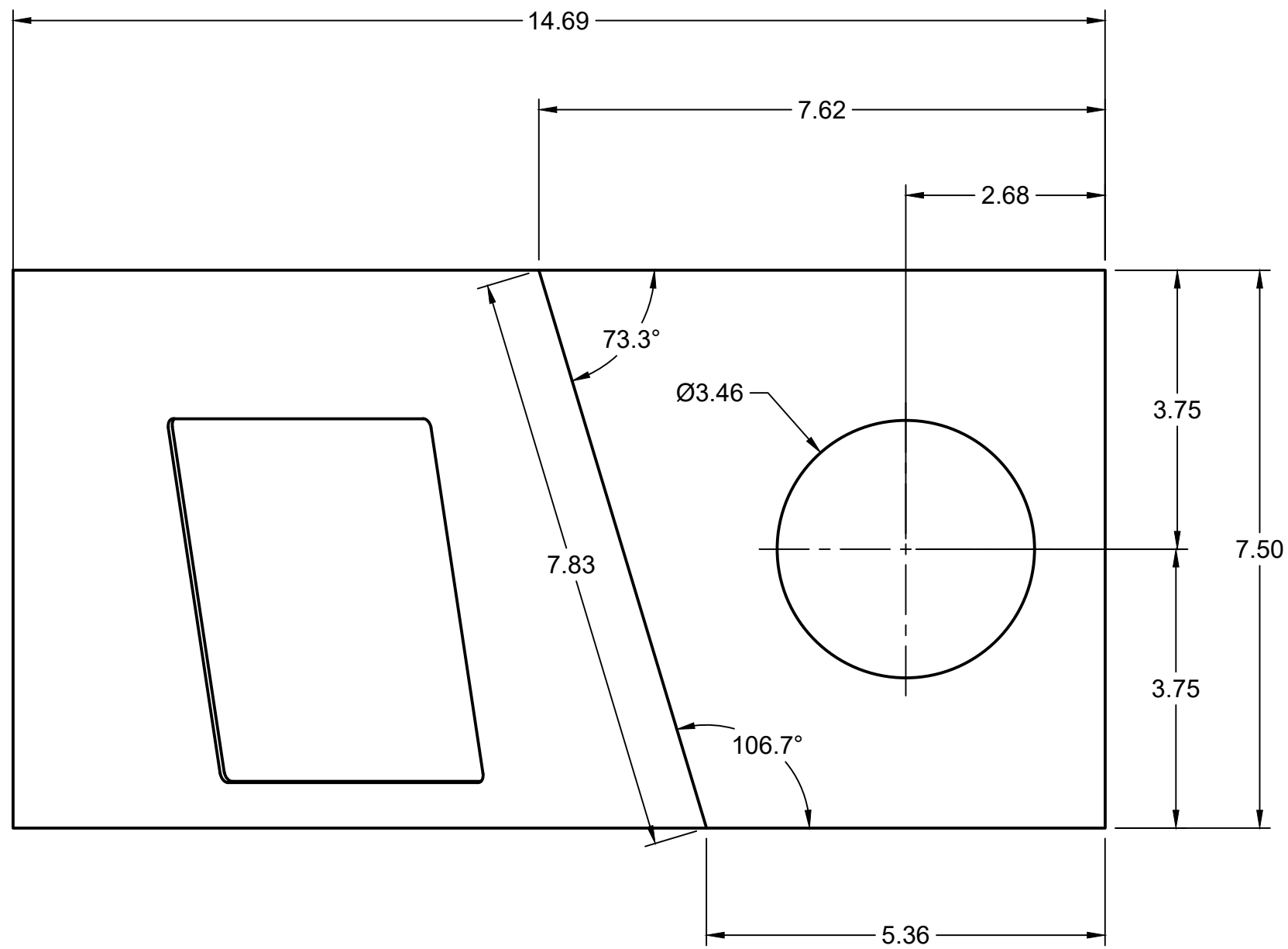
PROJECT			
<b>COSMOS Medium Node</b>			
TITLE			
<b>Medium Antenna Dual PAAM</b>			
APPROVED	SIZE	CODE	DWG NO
CHECKED	B		
DRAWN	Jakub Kolodziejcki 4/21/2022	SCALE 1:2	WEIGHT
			SHEET 3/7

LEFT SIDE



		PROJECT		
		<b>COSMOS Medium Node</b>		
		TITLE		
		<b>Medium Antenna Dual PAAM</b>		
APPROVED	SIZE	CODE	DWG NO	REV
CHECKED	B			
DRAWN	Jakub Kolodziejcki 4/21/2022	SCALE 1:2	WEIGHT	SHEET 4/7

RIGHT SIDE



PROJECT

**COSMOS Medium Node**

TITLE

**Medium Antenna Dual PAAM**

APPROVED

SIZE

CODE

DWG NO

REV

CHECKED

B

DRAWN

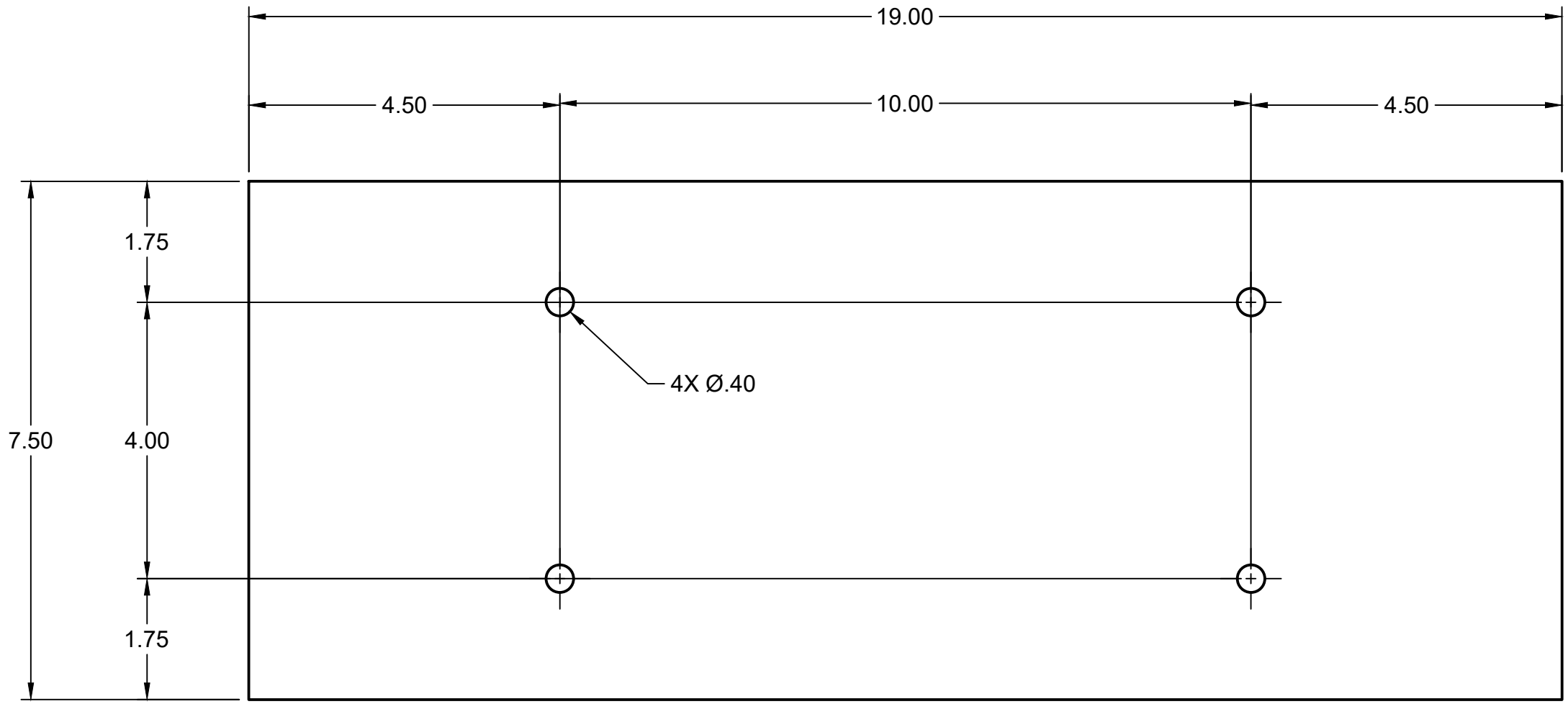
Jakub Kolodziejcki 4/21/2022

SCALE 1:2

WEIGHT

SHEET 5/7

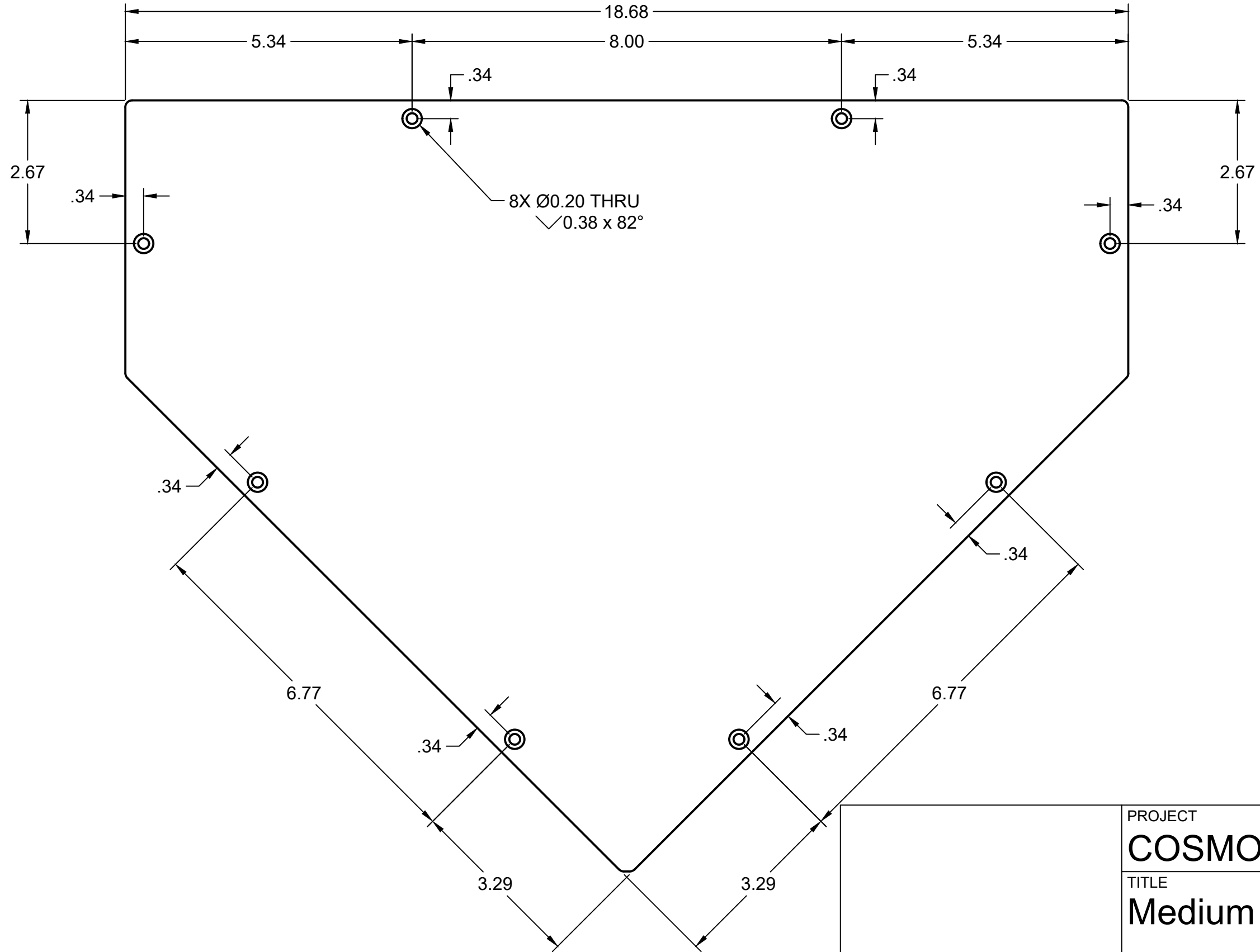
BACK



	PROJECT			
	<b>COSMOS Medium Node</b>			
	TITLE			
	<b>Medium Antenna Dual PAAM</b>			
APPROVED	SIZE	CODE	DWG NO	REV
CHECKED	B			
DRAWN	Jakub Kolodziejcki 4/21/2022	SCALE 1:2	WEIGHT	SHEET 6/7

BOTTOM PLATE

NOTE: Match the 8X countersunk hole positions to the PEM nuts on the bottom of the main box



PROJECT			
<b>COSMOS Medium Node</b>			
TITLE			
<b>Medium Antenna Dual PAAM</b>			
APPROVED	SIZE	CODE	DWG NO
CHECKED	B		
DRAWN	Jakub Kolodziejcki 4/21/2022	SCALE 1:2	WEIGHT
			SHEET 7/7
			REV